

ALL-NEW DACIA SANDERO SANDERO STEPWAY

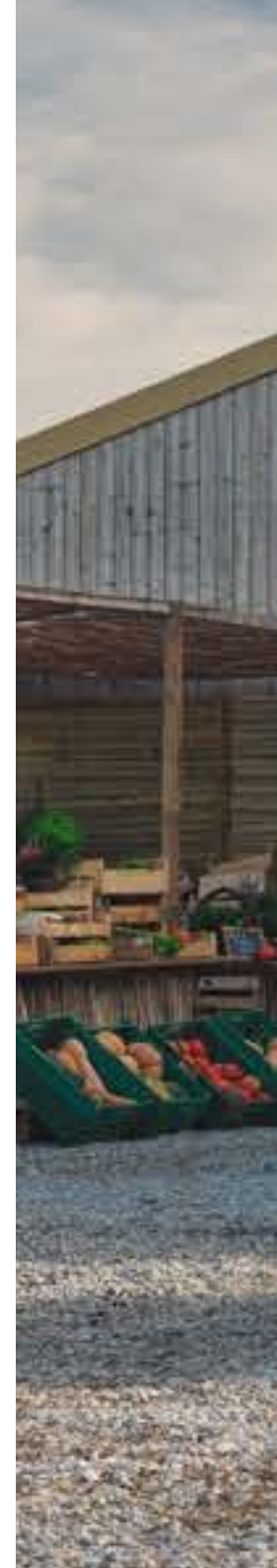


May 2021

DACIA

DACIA SANDERO STEPWAY

**GET AWAY
EVERY DAY**







A SENSE OF ADVENTURE

One glance and you're already itching to get away with All-new Sandero Stepway. Its dynamic front end, its powerful wheel rims, its new skid plates, and high ground clearance lend it the energetic and sturdy look of an authentic crossover. With its LED

headlights, its new Y-shaped brand light widens its front end and gives it even more character. Automatic headlights and windscreen wipers ensure better visibility. Sandero Stepway, the adventurer who can adapt to all your needs.



COMFORT THAT'S INTELLIGENT

All the technology you need: step inside effortlessly using the keyless entry card and experience the new passenger compartment's style. Chrome finishes, special upholstery with orange piping, height and depth adjustment of the seats and steering wheel, adjustable headrests, electric parking brake, closed storage space: practicality and comfort are now more evident.

Connect your smartphone wirelessly and use your preferred apps on the 8-inch touch screen. Controls within easy reach provide optimum ease of access to all functions. Everything is clear.







DACIA

PLENTY OF ROOM FOR EVERYTHING YOU NEED

All-New Sandero Stepway takes on the challenge of real life: with its big expandable boot, go from city life to escape in a flash. Fold the seats down in a single motion, adjust the load capacity to suit your needs and stock up on unforgettable moments.



Thanks to an ingenious system, effortlessly convert your roof bars into transverse roof bars to fit a roof box, bicycle rack or ski rack. Ready to take on the world? Get set. Go!



DACIA SANDERO

A UNIQUE ALLY IN THE CITY





SANDERO



THE POWER OF WHAT IS ESSENTIAL

Take a look at the completely redesigned All-new Sandero, a combination of robustness and dynamic lines: simply stunning. Its front and rear Y-shaped brand light puts the finishing touches on a strong, modern identity. Its LED dipped headlights will light up the road at night like never before. The honeycomb radiator grille adds to its personality.

The Sandero spirit you love has also evolved with even greater style in the details: the proof can be seen in the picture with its door mirror shells that match the bodywork. Their reworked shape offers optimal aerodynamics and helps to reduce noise for passengers on board.



DACIA SANDERO

THE ESSENTIALS AT YOUR FINGERTIPS



Automatic Air Conditioning is not available on Sandero in Right hand drive markets. It is available on Sandero Stepway.

Everything changes, both the world and your needs, so All-new Sandero has redesigned its interior: optimised comfort, enhanced materials, a new design and user-friendly technologies.

As soon as you step inside, with the automatic remote opening, you feel welcomed into a contemporary environment. Its new panoramic dashboard combines elegance and efficiency. The driver-focused design makes it easy to access all functions, including new, intuitive heating and air-conditioning controls, integrated 8-inch screen - with wireless navigation and mirroring of your smartphone's applications -, rear parking sensors and reverse camera - which warns you when you're close to an obstacle -, and steering wheel adjustment in height as well as in depth.





TAKE CONTROL OF THE SPACE

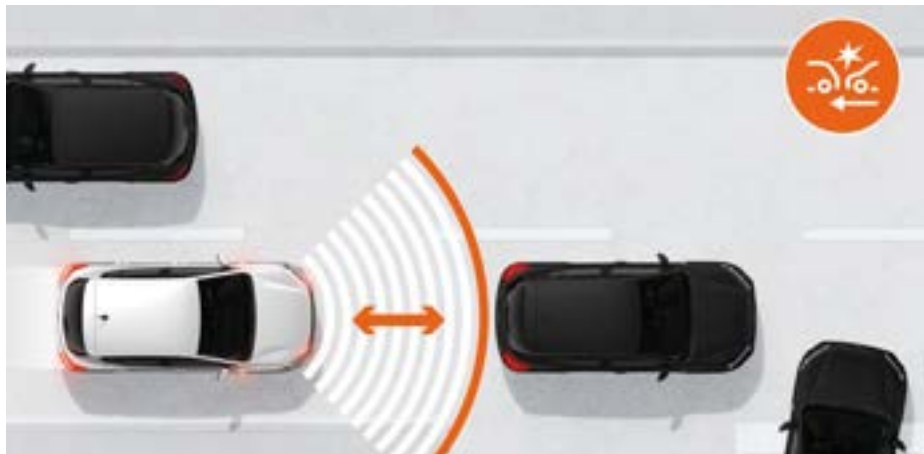
All-new Sandero adapts perfectly to your life. It's resourceful, with a large boot and rear seat that folds down to tailor the space to suit your needs. It also comes with a lot of storage space: cup holder, door storage compartment or closed glove compartment are the ideal answer to your needs for organisation in the hustle and bustle of the city.

With extra shoulder width for the driver and knee room for your rear seat passengers, you can enjoy optimum comfort. All-new Sandero resolutely offers incomparable comfort.



SAFE AT ALL TIMES

For Dacia, nothing is more important than constantly improving the safety of its vehicles, and especially that of its users. You can relax with automatic emergency braking, hill start assist, six standard airbags and blind spot detection. All-new Dacia Sandero and Sandero Stepway provide everything you need for worry-free driving.



Automatic Emergency Braking. Because, sometimes, being focussed and reactive is not enough. You can rely on All-new Sandero and All-new Sandero Stepway to avoid or mitigate minor accidents. Automatic Emergency Braking detects the risk of collision. If you don't react or if you don't react quickly enough, the system triggers and optimises braking.



Blind spot warning*. It's difficult to see everything when you change lanes. The side front and rear sensors of All-new Sandero and All-new Sandero Stepway warn you in the event of a risk of collision with another vehicle from the side or rear.

*Only available on Sandero Stepway.

DACIA SANDERO & SANDERO STEPWAY



Rear parking sensors and rear view camera. When driving in town, all parking places can easily be slotted into especially with the compact Sandero. The rear parking sensors and camera will ensure you're fully aware of your surroundings when parking to avoid any tiny accidents.



Hill Start Assist. No need to stress when you start on a slope. This function immediately prevents the vehicle from moving backwards when you release the brake pedal. No need to rush to the parking brake to help you, manoeuvring is as easy as pie.

DACIA SANDERO

ESSENTIAL



STANDARD EQUIPMENT

EXTERIOR APPEARANCE

- DACIA Y-shaped LED signature lights
- Automatic LED daytime running lights
- Black grille with chrome bar
- Body-tone front and rear bumpers
- Black door mirrors
- 15" Steel wheels + full wheel cap

INTERIOR APPEARANCE

- Black interior door handles
- Chrome Satin air vent surrounds
- Titanium black seat fabric
- 1/3- 2/3 split-fold rear bench seatback

ACTIVE & PASSIVE SAFETY

- ABS (anti-lock braking) + EBA (emergency brake assist)
- Interurban Advanced Emergency Brake Assist System (AEBS)
- ESP (Electronic Stability Program) + HSA (Hill Start Assist)
- Emergency call (E-call)
- Driver's front airbag/Deactivatable front side passenger airbag

- Chest side and head curtain airbags (front + rear)
- Front and rear side seat belts with pretensioner and force limiter
- Tyre pressure detection
- Hill Start Assist
- Tyre inflation kit

DRIVING AND CONTROLS

- Cruise Control and Speed Limiter
- Electric power steering
- Stop & Start, ECO Mode (except SCe 65)
- Trip computer: distance, average speed, fuel range, average fuel consumption (including LPG)
- Speed Limiter with audible warning

VISIBILITY

- Door mirrors with inside manual adjustment

COMFORT

- Manual Air conditioning
- Remote central locking
- Automatic central locking when driving

- Electric front driver and passenger-side windows
- Height- and reach-adjustable steering wheel
- Driver-side front reading light
- USB port
- 12V socket in the front

AUDIO

- Media Control: DAB radio with steering wheel-mounted controls, display integrated into the dashboard computer screen, smartphone holder on the dashboard, 2 front speakers, Bluetooth® connection, Dacia Media Control mobile application

OPTIONS

- Metallic Paint

COMFORT



OPTIONS

- Metallic paint

STANDARD EQUIPMENT = ESSENTIAL +

EXTERIOR APPEARANCE

- Front grille with chrome
- 15" Flex wheels + full wheel cap
- Soft-feel steering wheel

INTERIOR APPEARANCE

- Satin Chrome double air vent surrounds
- Satin Chrome interior door handles
- Fabric trim on dashboard and front door armrests
- Specific Comfort upholstery
- Soft-feel steering wheel

VISIBILITY

- Front fog lights
- Electrically operated door mirrors

COMFORT

- Keyless entry
- Automatic windscreen wipers
- One-touch driver's electric window (with anti-trapping device), and rear electric windows
- Driver/passenger front reading light
- Front/rear 12V sockets

AUDIO

- Media Display⁽¹⁾, DAB Radio, smartphone mirroring, Bluetooth® connection, 4 speakers, 8" touch screen + removable phone holder

ACTIVE & PASSIVE SAFETY

- Rear parking sensors
- Rear view camera

SANDERO STEPWAY ESSENTIAL



VISIBILITY

- Door mirrors with inside manual adjustment

COMFORT

- Remote central locking
- Automatic central locking when driving
- Electric front windows and manual rear windows
- Height-adjustable steering wheel
- Driver-side front reading light
- USB port
- Front 12 V socket
- Manual Air conditioning

AUDIO

- Media Control: DAB Radio with display on instrument panel + Steering wheel controls + Bluetooth + 2 Speakers
- Fixed phone holder at top of dashboard

OPTIONS

- Metallic paint

STANDARD EQUIPMENT

EXTERIOR APPEARANCE

- DACIA Y-shaped LED signature lights
- Automatic LED daytime running lights
- Front grille with chrome
- Front grille with Stepway badge
- 16" Flex wheels with full wheel cap
- Body-tone front and rear bumpers
- Chrome-finish front / rear skid plates
- Black outside door handles
- Black door mirrors
- Black longitudinal roof bars

INTERIOR APPEARANCE

- Copper Orange air vent surrounds
- Black interior door handles
- Split-folding rear bench seat back (1/3-2/3)
- Special Stepway upholstery with inserts and orange top-stitching

ACTIVE & PASSIVE SAFETY

- ABS (anti-lock braking) + EBA (emergency brake assist)

- Interurban Advanced Emergency Brake Assist System (AEBS)

- ESP (Electronic Stability Program) + HSA (Hill Start Assist)
- Emergency call (E-call)
- Driver's front airbag/Deactivatable front side passenger airbag
- Chest side and head curtain airbags (front + rear)
- Front and rear side seat belts with pretensioner and force limiter
- Tyre pressure detection
- Hill Start Assist
- Tyre inflation kit
- ISOFIX points for child seats in both side rear seats

DRIVING AND CONTROLS

- Electric power steering
- Stop & Start, ECO Mode
- Trip computer: distance, average speed, fuel range, average fuel consumption (including LPG)
- Cruise Control and Speed Limiter

COMFORT



STANDARD EQUIPMENT = SANDERO STEPWAY ESSENTIAL +

EXTERIOR APPEARANCE

- Chrome front grille with Stepway badge
- Body-tone outside door handles
- Body-tone door mirrors
- Modular longitudinal roof bars (Quartz Grey)
- 16" Flex wheels with full wheel cap

INTERIOR APPEARANCE

- Satin Chrome & Copper Orange air vent surrounds
- Satin Chrome interior door handles
- Fabric trim on dashboard and front door armrests/ Orange trim on front door panels
- 1/3- 2/3 split-fold rear bench seatback
- Soft-feel steering wheel

VISIBILITY

- Front fog lights
- Electrically operated door mirrors

ACTIVE & PASSIVE SAFETY

- Rear parking sensors
- Rear view camera

COMFORT

- Automatic windscreen wipers
- Driver's one touch electric windows and rear

electric windows

- Height- and reach-adjustable steering wheel
- Driver/passenger front reading light
- Front/rear 12 V socket
- Keyless entry

AUDIO

- Media Display⁽¹⁾, DAB Radio, smartphone mirroring, Bluetooth[®] connection, 4 speakers, 8" touch screen + removable phone holder

(1) Compatible with Apple CarPlay™ & Android Auto™.

Android Auto™ is a trademark of Google Inc.
Apple CarPlay™ is a trademark of Apple Inc.

OPTIONS

- Metallic paint

PRESTIGE



STANDARD EQUIPMENT = SANDERO STEPWAY COMFORT +

EXTERIOR APPEARANCE

- 16" Diamond-effect alloy wheels

INTERIOR APPEARANCE

- High central armrest with console storage

DRIVING CONTROLS

- Electronic parking brake

ACTIVE & PASSIVE SAFETY

- Front and rear parking sensors
- Rear view camera
- Blind Spot Warning

COMFORT

- Automatic Climate Control

AUDIO

- MediaNav⁽¹⁾: navigation, DAB radio, wifi smartphone mirroring, Bluetooth[®] connection, six speakers (4 speakers + 2 tweeters), 8" touch screen, removable phone holder + 1 additional USB at the bottom of the centre console

OPTIONS

- Metallic paint

DACIA SANDERO & SANDERO STEPWAY

COLOURS



GLACIER WHITE⁽¹⁾



SLATE GREY⁽²⁾



HIGHLAND GREY⁽²⁾



PEARL BLACK⁽²⁾



FUSION RED⁽²⁾



MOONSTONE GREY^{(2)*}



IRON BLUE⁽²⁾



DESERT ORANGE^{(2)**}

(1) Opaque paint (2) Metallic paint. * Only available on Sandero. ** Only available on Stepway.

WHEEL TRIMS

DACIA SANDERO



15" STEEL WHEELS +
FULL WHEEL CAP



15" FLEX WHEELS +
FULL WHEEL CAP

DACIA SANDERO STEPWAY



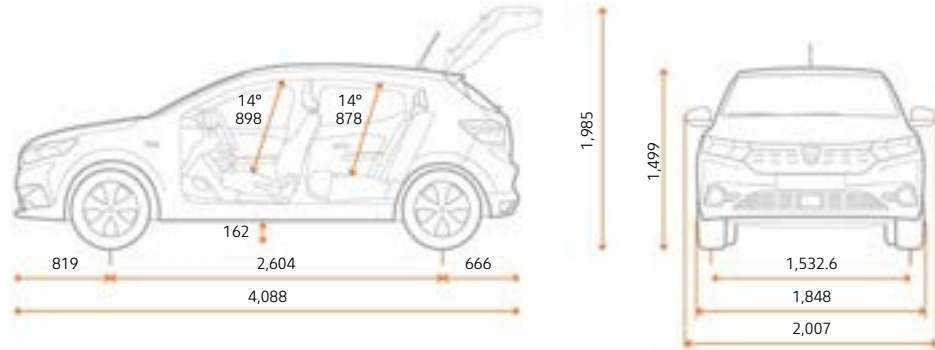
16" FLEX WHEELS +
FULL WHEEL CAP



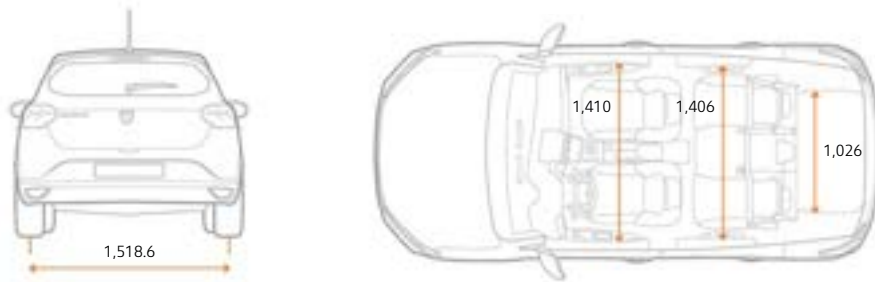
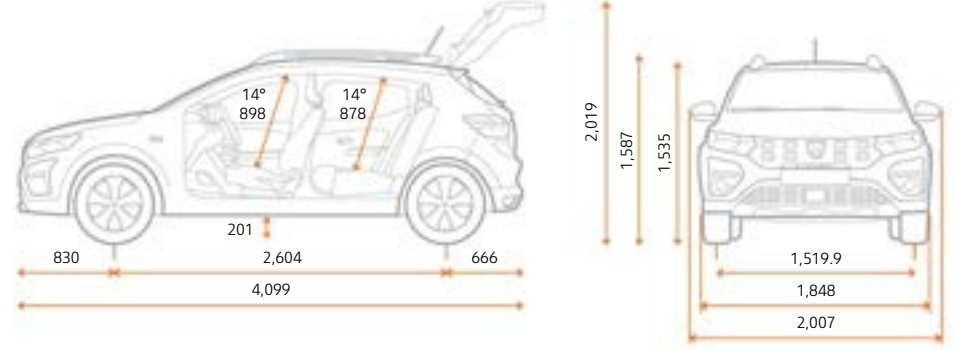
16" DIAMOND-EFFECT
ALLOY WHEELS

DIMENSIONS

SANDERO



SANDERO STEPWAY



Dimensions given in mm.

SANDERO	
BOOT (IN DM³ - VDA STANDARD)	
Minimum boot volume (ISO 3 832)	328
Maximum boot volume (ISO 3 832)	1.108
Volume under false floor (ISO 3 832)	78

SANDERO STEPWAY	
BOOT (IN DM³ - VDA STANDARD)	
Minimum boot volume (ISO 3 832)	328
Maximum boot volume (ISO 3 832)	1.108
Volume under false floor (ISO 3 832)	78

DACIA SANDERO & SANDERO STEPWAY

ENGINES & EMISSIONS

		EURO STATUS	HP	CO ₂ G/KM WLTP	COMBINED FUEL CONSUMPTION (l/100km) - WLTP
DACIA SANDERO					
Essential	SCe 65	6 D-FULL	65	120	5.3
	TCe 100 Bi-Fuel	6 D-FULL	90(100)	123 (LPG 109)	5.4 (LPG 7.1)
Comfort	TCe 90 Auto	6 D-FULL	90	131	5.8
	TCe 100 Bi-Fuel	6 D-FULL	90 (100)	123 (LPG 109)	5.4 (LPG 7.1)

		EURO STATUS	HP	CO ₂ G/KM WLTP	COMBINED FUEL CONSUMPTION (l/100km) - WLTP
DACIA SANDERO STEPWAY					
Essential	TCe 100 Bi-Fuel	6 D-FULL	90 (100)	131 (LPG 115)	5.8 (LPG 7.4)
Comfort	TCe 90 Auto	6 D-FULL	90	140	6.2
	TCe 100 Bi-Fuel	6 D-FULL	90 (100)	131 (LPG 115)	5.8 (LPG 7.4)
Prestige	TCe 90 Auto	6 D-FULL	90	139	6.2
	TCe 100 Bi-Fuel	6 D-FULL	90 (100)	130 (LPG 115)	5.8 (LPG 7.4)

OPTIONS

	ESSENTIAL	COMFORT	PRESTIGE
OPTION			
Metallic paint	○	○	○

DACIA SANDERO & SANDERO STEPWAY

EQUIPMENT AND OPTIONS

	SANDERO ESSENTIAL	SANDERO COMFORT	SANDERO STEPWAY ESSENTIAL	SANDERO STEPWAY COMFORT	SANDERO STEPWAY PRESTIGE
EXTERIOR FEATURES					
LED lighting signature	●	●	●	●	●
LED automatic daytime running lights	●	●	●	●	●
Door handles	Black	Body-coloured	Black	Body-coloured	Body-coloured
Door mirrors	Black	Body-coloured	Black	Body-coloured	Body-coloured
Front/ Rear Bumper	Body-coloured	Body-coloured	Body-coloured	Body-coloured	Body-coloured
Radiator Grille	Black	Black	Black	Chrome	Chrome
Tinted windows	●	●	●	●	●
Longitudinal roof bars	-	-	Black	Chrome	Chrome
Modular roof bars	-	-	-	●	●
New 15" steel wheel with full wheel cap	●	-	-	-	-
New 15" flex wheels with full wheel cap	-	●	-	-	-
16" Flex wheels with full wheel cap	-	-	●	●	-
16" Diamond-effect Alloy wheels	-	-	-	-	●
Metallic Paint	○	○	○	○	○
INTERIOR FEATURES					
Soft feel Steering Wheel	-	●	-	●	●
Interior door handles	Black	Satin Chrome	Black	Satin Chrome	Satin Chrome
Decoart on instrument panel and door with textile	-	●	-	●	●
Driver & Passenger vanity mirror with cover	-	●	-	●	●
Titanium Black Seat Fabric/ Colour Harmony	●	●	●	●	●
Split-folding rear bench seat back	1/3-2/3	1/3-2/3	1/3-2/3	1/3-2/3	1/3-2/3
Air vents	Satin Chrome	Double Satin Chrome	Copper Orange	Satin Chrome & Copper Orange	Satin Chrome & Copper Orange
ACTIVE & PASSIVE SAFETY					
ABS (Anti-lock Braking System) & EBA (Emergency Brake Assist)	●	●	●	●	●
Automatic Emergency Braking System (AEBS)	●	●	●	●	●
ESP (Electronic Stability Program) + HSA (Hill Start Assist)	●	●	●	●	●
ESC (Electronic Stability Control)	●	●	●	●	●
Emergency Call (E-call)	●	●	●	●	●
6 Airbags (front and side Driver & passengers including curtain airbags)	●	●	●	●	●
Rear Parking sensors + Reverse Camera	-	●	-	●	-
Front and Rear Parking sensors + Reverse Camera	-	-	-	-	●
Electronic parking brake	-	-	-	-	●
Blind Spot Warning	-	-	-	-	●
Door open warning (visual and audible)	●	●	●	●	●
Driver and passenger seatbelt not fastened warning	●	●	●	●	●
3 x 3-point rear seatbelts	●	●	●	●	●
3 height-adjustable rear headrests	●	●	●	●	●
ISOFIX points for child seats in both outer rear seats	●	●	●	●	●
Child locks in rear doors	●	●	●	●	●
Front seat belt pretensioners	●	●	●	●	●
High-level third rear brake light	●	●	●	●	●
Tyre Pressure Monitor	●	●	●	●	●
Remote central locking	●	●	●	●	●
Engine immobiliser	●	●	●	●	●
Tyre inflation kit	●	●	●	●	●

DACIA SANDERO & SANDERO STEPWAY

	SANDERO ESSENTIAL	SANDERO COMFORT	SANDERO STEPWAY ESSENTIAL	SANDERO STEPWAY COMFORT	SANDERO STEPWAY PRESTIGE
DRIVING AND CONTROLS					
New 3.5" TFT instrument panel with on-board computer	●	●	●	●	●
Electric Power-assisted steering	●	●	●	●	●
Stop & Start	●	●	●	●	●
Cruise control and speed limiter	●	●	●	●	●
Gear Shift Indicator (n.a. on CVT Gearbox)	●	●	●	●	●
ECO mode (except SCe65 engine)	●	●	●	●	●
Rev counter	●	●	●	●	●
VISIBILITY AND EXTERIOR LIGHTING					
3-speed front windscreen wipers	●	●	●	●	●
Front Foglights	-	●	-	●	●
Automatic Wipers	-	●	-	●	●
Auto Lighting System	●	●	●	●	●
Door mirrors - manually-adjustable door mirrors	●	-	●	-	-
Door mirrors - heated and electrically-adjustable door mirrors	-	●	-	●	●
Heated rear window	●	●	●	●	●
Rear wash/wiper	●	●	●	●	●
COMFORT AND CONVENIENCE					
Keyless Entry	-	●	-	●	●
Front Electric Windows	●	●	●	-	●
Rear Manual Windows	●	-	●	-	-
Driver's one touch electric windows & Rear Electric Windows	-	●	-	●	●
Height and depth-adjustable steering wheel	●	●	●	●	●
Height-adjustable driver's seat with armrest	●	●	●	●	●
High central armrest with console storage	-	-	-	-	●
USB Socket	●	●	●	●	●
Front 12V plug	●	●	●	●	●
Rear 12V plug	-	●	-	●	●
Height-adjustable front seatbelts	●	●	●	●	●
Height-adjustable front headrests	●	●	●	●	●
Automatic central locking	●	●	●	●	●
HEATING AND VENTILATION					
Automatic Climate Control	-	-	-	-	●
Manual Air conditioning	●	●	●	●	-
COMMUNICATION & CONNECTIVITY					
Media Control: DAB Radio with display on instrument panel + Steering wheel controls + Bluetooth + 2 Speakers	●	-	●	-	-
8" Media Display with DAB Radio + Smartphone replication + Bluetooth® + 4 Speakers with Apple CarPlay™ and Android Auto™	-	●	-	●	-
8" MediaNav with DAB Radio +Navigation + WIFI Smartphone replication + Bluetooth + 6 Speakers with Apple Carplay and Android Auto	-	-	-	-	●
Smartphone holder on dashboard	●	●	●	●	●
USB connection for data transfer and charging	●	●	●	●	●

- : not available; ● : available as standard; ○ : available as an option. Android Auto™ is a trademark of Google Inc. Apple CarPlay™ is a trademark of Apple Inc.

ENGINES

	SCE 65	TCE 90 CVT	TCE 100 Bi-FUEL
ENGINES			
Fuel	Unleaded fuel (E10)	Unleaded fuel (E10)	Unleaded fuel (E10)/LPG
Maximum power kW EEC (hp) at engine speed of (rpm)	49 at 6,300	67 at 4,500-5,000	LPG mode: 74 at 5,000 Petrol mode: 67 at 4,600-5,000
Maximum torque Nm EEC (m.kg) at engine speed of (rpm)	95 at 3,600	142 at 1,750-3,750	LPG mode: 170 at 2,000 Petrol mode: 160 at 2,100-3,750
Gearbox type	5-speed manual	Auto-CVT	6-speed manual
Type of injection	Naturally aspirated engine	Turbo Indirect injection	Turbo Indirect injection
Capacity (cc)		999	
No. of cylinders/valves		3/12	
Emission control standard		Euro 6 DFull	

CHASSIS AND STEERING	
Tyre dimensions	185/65 R15 88H - 195/55 R16 87H
Steering - Turning circle, kerb to kerb (m)	10.53
Front suspension	Pseudo McPherson with lower wishbone, spiral spring suspension with telescopic hydraulic shock absorbers and anti-roll bar
Rear suspension	Semi-rigid axle with spring suspension with anti-roll bar with telescopic hydraulic shock absorbers

PERFORMANCE		LPG	Petrol
Top speed (km/h)	158	183	179
0-100 km/h (s)	16.7	13.4	11.6
Mid-range acceleration: 80 km/h - 120 km/h (s)	in 4 th		9.1
	5 th	11.6	12.1
	6 th		17.1

FUEL CONSUMPTION AND EMISSIONS⁽¹⁾		WLTP ⁽²⁾	
Certification protocol			
Fuel tank capacity (l)	50	50	Petrol: 50 LPG (total volume/ filling volume): 50/40
CO ₂ emissions (g/km) Best Case - Worst Case	120-121	131-132	LPG: 109 Petrol: 123
Combined cycle fuel consumption (l/100km) Best Case - Worst Case	5.3	5.8	LPG: 7.1 Petrol: 5.4

VOLUMES AND WEIGHTS	Access	Essential	Comfort	Comfort	Essential	Comfort
Minimum kerb weight	1,014	1,015	1,036	1,099	1,107	1,130
Maximum kerb weight	1,035	1,058	1,072	1,144	1,136	1,160
Gross train weight (GTW)	2,457	2,480	2,494	2,686	2,678	2,702
Gross vehicle weight (GVW)	1,477	1,500	1,514	1,586	1,578	1,602
Max. braked towing weight	980	980	980	1,100	1,100	1,100

(1) Official consumption and emissions according to applicable regulations. (2) WLTP (Worldwide Harmonized Light Vehicle Test Procedures): this new protocol provides results much closer to those found in daily use compared to the NEDC protocol. CO₂ emissions are certified using a standard, regulated method. It is identical for all manufacturers and allows vehicles to be compared.

DACIA SANDERO STEPWAY

TCE 90 CVT

TCE 100 Bi-FUEL

ENGINES

Fuel	Unleaded fuel (E10)	Unleaded fuel (E10)/LPG
Maximum power kW EEC (hp) at engine speed of (rpm)	67 at 4,500-5,000	LPG mode: 74 at 4,600-5,000 Petrol mode: 67 at 4,800-5,000
Maximum torque Nm EEC (m.kg) at engine speed of (rpm)	142 at 1,750-3,750	LPG mode: 170 at 2,000-3,500 Petrol mode: 160 at 2,100-3,750
Gearbox type	Auto-CVT	6-speed manual
Injection type		Turbo Indirect injection
Capacity (cm ³)		999
No. of cylinders/valves		3/12
Emission control standard		Euro 6 DFull

CHASSIS AND STEERING

Tyre dimensions	185/65 R15 88H - 195/55 R16 87H	
Steering - Turning circle, kerb to kerb (m)	10.53	
Front suspension	Pseudo McPherson with lower wishbone, spiral spring suspension with telescopic hydraulic shock absorbers and anti-roll bar	
Rear suspension	Semi-rigid axle with spring suspension with anti-roll bar with telescopic hydraulic shock absorbers	

PERFORMANCE

		LPG	Petrol
Top speed (km/h)	163	177	173
0-100 km/h (s)	14.2		11.9
Mid-range acceleration: 80 km/h - 120 km/h (s)	in 4 th	10.0	10.2
	5 th	13.9	14.4
	6 th	20.6	21.9

FUEL CONSUMPTION AND EMISSIONS⁽¹⁾

Certification protocol			
Fuel tank capacity (l)	50	Petrol: 50 LPG (total volume/ filling volume): 50/40	
		LPG	Petrol
CO ₂ emissions (g/km) Best Case - Worst Case	139-141	115	130-131
Combined cycle fuel consumption (l/100km) Best Case - Worst Case	6.2	7.4	5.8

VOLUMES AND WEIGHTS

	Comfort & Prestige	Essential	Comfort & Prestige
Minimum kerb weight	1,122	1,134	1,154
Maximum kerb weight	1,159	1,160	1,176
Gross train weight (GTW)	2,701	2,702	2,718
Gross vehicle weight (GVW)	1,601	1,602	1,618
Max. braked towing weight	1,100	1,100	1,100

(1) Official consumption and emissions according to applicable regulations. (2) WLTP (Worldwide Harmonized Light Vehicle Test Procedures): this new protocol provides results much closer to those found in daily use compared to the NEDC protocol. CO₂ emissions are certified using a standard, regulated method. It is identical for all manufacturers and allows vehicles to be compared.

ACCESSORIES



1. SANDERO aluminium roof bars. Streamlined, easy and quick to assemble, they are ideal for carrying a bicycle rack, ski rack or roof box and increase the carrying capacity of the vehicle.

2. Premium textile floor mats and illuminated front door sills. Enjoy the premium quality of SANDERO premium textile floor mats that will stylishly protect your interior. Also, the door sills (sold in sets of two) will add a touch of light to the car's doorways.

3. Shark aerial*. Add a contemporary touch with this compact aerial, which fits perfectly into your vehicle's design.

4. Tool-free removable tow bar kit*. Thanks to its ball joint that can be easily removed without tools, the aesthetics of your vehicle is preserved. Recommended for frequent use.

5. Swan neck tow bar kit*. Essential for safe towing or transporting of your equipment – e.g. bicycle rack, trailer, boat, caravan, or professional gear.

*These accessories require registration of the vehicle before fitment.

Accessories are fitted post-production and may have an impact on real world fuel (actual) consumption and CO₂ figures. For more information and additional accessories, consult the Sandero, Sandero Stepway Accessories Brochure.

DACIA SANDERO & SANDERO STEPWAY



1.



2.



3.



4.



5.



6.

1. EasyFlex modular boot protection. Cover the entire loading area for transporting bulky items. Versatile and waterproof, it folds and unfolds easily to adapt to the position of the rear seats, even when folded down. Not compatible with factory supplied flexible floor unless flexible floor removed.

2. Stainless steel boot sill. Cover and protect the rear bumper with this practical, attractive and customised accessory. With its brushed finish, it brings a designer touch and robustness to the rear of your vehicle.

3. Boot liner. Installs quickly by adapting to the shape of the boot and effectively protects the original carpet with its high edges. Semi-rigid, it is easy to take out and clean. Not compatible with factory supplied flexible floor unless flexible floor removed.

4. Lower door protections*. Accentuate your vehicle's rugged styling while protecting its door bottoms.

5. Front and rear mudguards*. Give the lower body of your vehicle effective protection against splashes of water, mud and gravel.

6. Rubber floor mats with raised edges. These raised-edge mats specially designed for your vehicle make the floor of your passenger compartment watertight. They are easy to maintain and can be quickly fixed in place using the safety clips provided for this purpose.

*These accessories require registration of the vehicle before fitment.

Accessories are fitted post-production and may have an impact on real world fuel (actual) consumption and CO₂ figures. For more information and additional accessories, consult the Sandero, Sandero Stepway Accessories Brochure.

ACCESSORIES

ACCESSORIES

Aluminium roof bars

Premium textile floor mats

Illuminated front door sills

Shark aerial

Tool-free removable tow bar kit

Swan neck tow bar kit

EasyFlex modular boot protection

Stainless steel boot sill

Boot liner

Lower door protections

Front and rear mudguards

Rubber floor mats with raised edges

*These accessories require registration of the vehicle before fitment.

Accessories are fitted post-production and may have an impact on real world fuel (actual) consumption and CO₂ figures. For more information and additional accessories, consult the Sandero, Sandero Stepway Accessories Brochure.



SANDERO STEPWAY

DRIVE, TRAVEL, ENJOY... **NOW THAT'S THE DACIA SPIRIT!**

At Dacia, we produce practical, reliable vehicles that offer the best value for money. Models with assertive style but no frills, fitted with the most reliable, tried-and-tested technologies... all at an unbeatable price. In fifteen years, we have changed the rules of the game and disrupted the car market. Unbelievable? Not really. Our secret? A perfect blend of simplicity, transparency and accessibility. From the choice of model to price and maintenance, everything is clear and obvious with Dacia. Driving Dacia means

being certain that you've made the best choice. It means choosing quality, reliability, design, comfort and, above all, a fair price. It means being able to buy a new vehicle that meets your needs.

**ALL-NEW
DACIA SANDERO
& SANDERO STEPWAY,
JUST ESSENTIAL**





Every precaution has been taken to ensure this publication is accurate and up to date when printed. This document has been created using pre-production and prototype models. In line with its policy of continuous product improvement, Dacia reserves the right to modify the specifications, vehicles and accessories described and featured at any time. Any such modifications are communicated to Dacia dealers as quickly as possible. Depending on the country of sale, certain versions may differ and certain equipment may be unavailable (as standard, as an option or as an accessory). Please contact your nearest Dacia brand representative for the latest information. For technical printing reasons, the colours featured in this document may differ slightly from those of the actual paintwork or interior trim. All rights reserved. Reproduction in any format and by any means of all or part of this publication is prohibited without prior written authorisation from Dacia.

 Prodigious PHOTO CREDITS: M. JONES, CREAM, POINT ZÉRO - CHRISTELLE MÉTIVIER & ARMIN EROES, ARCHITECTES, TWIN GROUP, © RENAULT MARKETING 3D-COMMERCE, PAGECRAN - MAY 2021

Dacia recommends 

www.dacia.ie